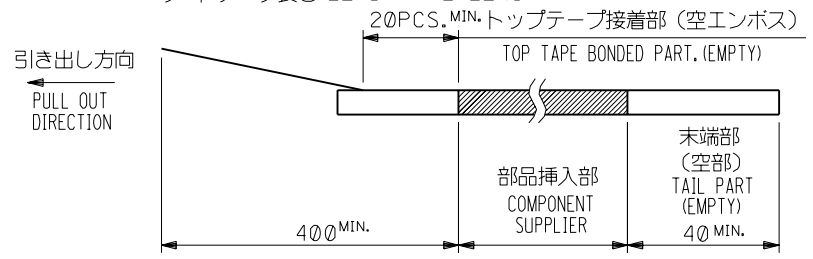
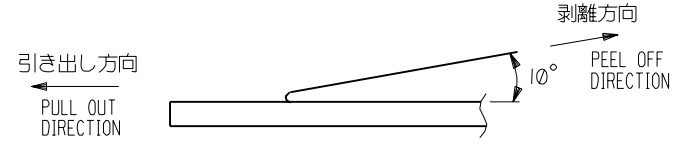


NOTES

- 製品詳細寸法については図面 SD-54722-007 を参照下さい。
RE DETAILED DIMENSION, SEE SD-54722-007
- 梱包数量：2000個/リール
NUMBER OF CONNECTORS : 2000PCS/REEL
- リードテープ長さ
LEAD TAPE LENGTH



- トップテープの剥離強度：0.1N ~ 0.7N(10.2gf ~ 71.4gf)
(剥離方向は下図参照)
尚、本規格値は出荷時に適用。(但し、輸送時に剥離が発生しないこと。)
PEELING OFF FORCE OF TOP TAPE : 0.1N ~ 0.7N(10.2gf ~ 71.4gf)
(PEELING DIRECTION AS SHOWN IN FOLLOWING FIG.)
THIS REQUIREMENT SHOULD BE APPLIED AT SHIPMENT.
PEEL OFF SHOULD NOT BE ALLOWED , DURING TRANSPORTATION.



- 材料(MATERIAL)
キャリアテープ：ポリプロピレン (PP)
CARRIER TAPE : POLYPROPYLENE (PP)
トップテープ：PET, PE, PEF
TOP TAPE : PET, PE, PEF
リール：ポリスチレン (PS) <リサイクル材を含む>
REEL : POLYSTYRENE (PS) <RECYCLE MATERIAL CONTAINED>

④64 NO. DRWN: CH'K: APPR:		④63 NO. DRWN: CH'K: APPR:		④62 NO. DRWN: CH'K: APPR:		REVISED 01/09/19 ④61 NO. J2002-0650 DRWN: R. TAKEUCHI CH'K: T. ITO APPR: T. YAMAGUCHI		PROPOSED ④60 NO. JC2001-0402 DRWN: S. AIHARA 00/11/28 CH'K: T. ITO APPR: M. FUKUSHIMA		MATERIAL 材料 注記参照 SEE NOTES		GENERAL TOLERANCES: (UNLESS SPECIFIED) 一般公差		SCALE 1/1		MODEL NO. 54722-***8		DIMENSIONS: <input type="checkbox"/> mm <input type="checkbox"/> INCH <input checked="" type="checkbox"/> mm ONLY		SHT 1 REV 0			
						A		Ø		//		10 UNDER 未満 30 UNDER 未満		±0.2 ±0.25		DRAWN BY & DATE S. AIHARA 00/11/28		TITLE: 0.5 B-To-B Conn Rec Assy (Hgt=1.5) Embstp Pkg					
								//		//		30 OVER 以上 30 UNDER 未満		±0.3		CHECKED BY & DATE T. ITO 01/09/19		MOLEX MOLEX INCORPORATED					
								//		//		WIRE RANGE 適用層線範囲 ANGLE 角度		±3°		APPROVED BY & DATE T. YAMAGUCHI 01/09/19		CAD FILENAME 54722010.S01		MATERIAL NO. SEE CHART DRAWING NO. SD-54722-010		SHEET NO. 1 OF 3	
								//		//						THIS DRAWING CONTAINS INFORMATION THAT IS PROPRIETARY TO MOLEX INCORPORATED AND SHOULD NOT BE USED WITHOUT WRITTEN PERMISSION.		SIZE B		EN-02J(097) MXJ-54			

DWG. NO. SD-54722-010

F

D

V

C

B

DO NOT SCALE DRAWING

8 7 6 5 4 3 2 1

F

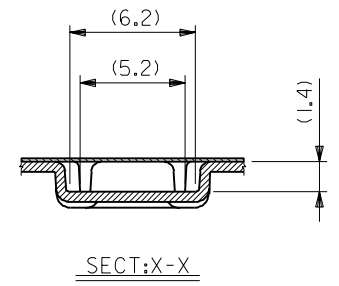
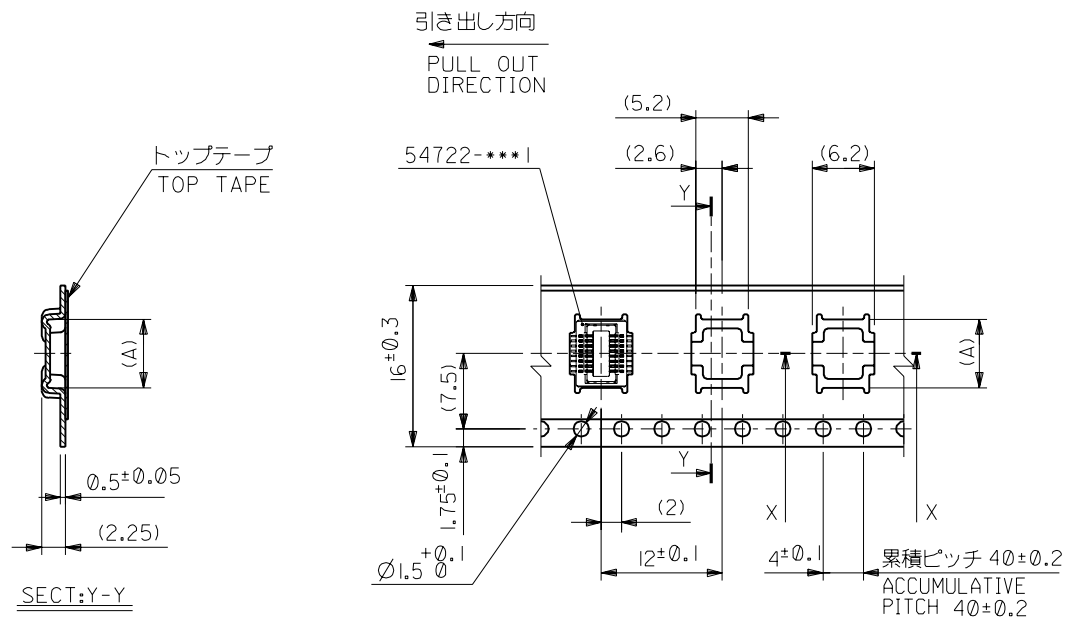
E

D

C

B

A



16mm幅キャリアテープ
16mm WIDTH CARRIER TAPE

16	17.5	6.8	54722-0168	16
キャリアテープ幅 CARRIER TAPE WIDTH		B	(A)	極数 CIRCUIT
MODEL NO.		54722-***8		DIMENSIONS:
				SHT REV

164 NO. DRWN: CH'K: APPR:	163 NO. DRWN: CH'K: APPR:	162 NO. DRWN: CH'K: APPR:	REVISED '01/09/19 161 NO. J2002-0650 DRWN: R.TAKEUCHI CH'K: T.IITO APPR: T.YAMAGUCHI A	PROPOSED 160 NO. JC2001-0402 DRWN: S.AIHARA '00/11/28 CH'K: T.IITO APPR: M.FUKUSHIMA 0	MATERIAL 材料 SHEET 1 OF 3 参照 REFER TO SHEET 1 OF 3
					GENERAL TOLERANCES: (UNLESS SPECIFIED) 一般公差
					FINISH 仕上げ //
					WIRE RANGE 適用電線範囲 //
					INS. RANGE 被覆外径 //

SCALE	DESIGN UNITS	FORWARD ANGLE	PROJECTION	SHT	REV
---	mm INCH	20°	1st ANGLE		
DRAWN BY & DATE		TITLE:			
S.AIHARA '00/11/28		0.5 B-To-B Conn Rec Assy (Hgt=1.5) Embstp Pkg			
CHECKED BY & DATE		MATERIAL NO.			
T.IITO '01/09/19		SD-54722-010			
APPROVED BY & DATE		SHEET NO.			
T.YAMAGUCHI '01/09/19		2 OF 3			
CAD FILENAME		SIZE			
54722010.S02		B			

MOLEX INCORPORATED SEE CHART SD-54722-010					
THIS DRAWING CONTAINS INFORMATION THAT IS PROPRIETARY TO MOLEX INCORPORATED AND SHOULD NOT BE USED WITHOUT WRITTEN PERMISSION.					
					EN-02J(097) MXJ-54

8 7 6 5 4 3 2 1

54722010.S02

DWG. NO. SD-54722-010

F

D

V

C

B

DO NOT SCALE DRAWING

8 7 6 5 4 3 2 1

F

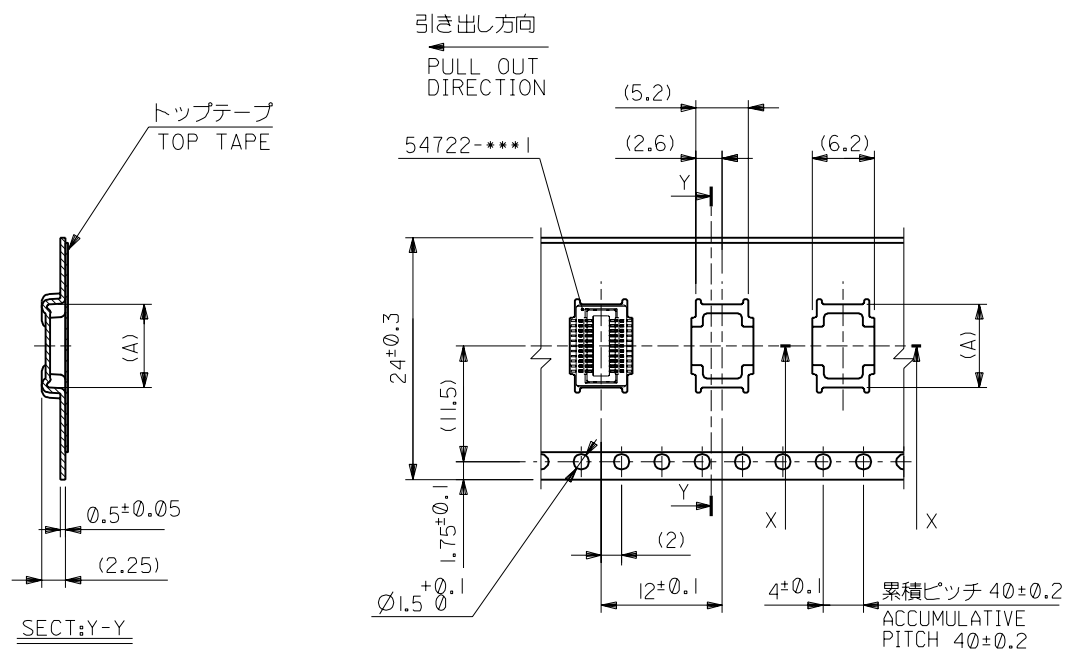
E

D

C

B

A



24mm幅キャリアテープ
24mm WIDTH CARRIER TAPE

24	25.5	10.3	54722-0308	30
		8.3	54722-0228	22
キャリアテープ幅 CARRIER TAPE WIDTH		B	(A)	極数 CIRCUIT
MODEL NO.		54722-***8		DIMENSIONS: SHT REV

064NO. DRWN: CH'K: APPR:	063NO. DRWN: CH'K: APPR:	062NO. DRWN: CH'K: APPR:	REVISED: 01/09/19 061NO. J2002-0650 DRWN: R.TAKEUCHI CH'K: T.IITO APPR: T.YAMAGUCHI	PROPOSED 060NO. JC2001-0402 DRWN: S.AIHARA '00/11/28 CH'K: T.IITO APPR: M.FUKUSHIMA
MATERIAL 材料 SHEET 1 OF 3 参照 REFER TO SHEET 1 OF 3				
FINISH 仕上げ //				
WIRE RANGE 適用電線範囲 //				
INS. RANGE 被覆外径 //				

GENERAL TOLERANCES: (UNLESS SPECIFIED) 一般公差		SCALE 1/1	DESIGN UNITS 0.25mm 0.1mm 0.025mm	PROJECTION 2ND ANGLE
10 UNDER 未満	+0.2	DRAWN BY & DATE S.AIHARA '00/11/28		
10 OVER 以上 30 UNDER 未満	+0.25	CHECKED BY & DATE T.IITO '01/09/19		
30 OVER 以上	+0.3	APPROVED BY & DATE T.YAMAGUCHI '01/09/19		
ANGLE 角度	+3°	CAD FILENAME 54722010.S03		

TITLE: 0.5 B-To-B Conn Rec Assy (Hgt=1.5) Embstp Pkg			
MOLEX INCORPORATED			
MATERIAL NO. SEE CHART	DRAWING NO. SD-54722-010	SHEET NO. 3 OF 3	
THIS DRAWING CONTAINS INFORMATION THAT IS PROPRIETARY TO MOLEX INCORPORATED AND SHOULD NOT BE USED WITHOUT WRITTEN PERMISSION.			